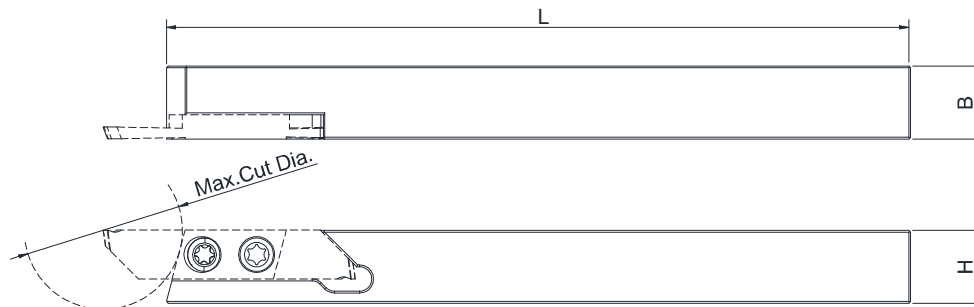


# A26 | 刀杆 Holder

本系列主要应用于走芯机车床  
The series mainly used in SWISS lathe

SR/L\*\*\*\*K-A26 本系列刀杆适配A26切断刀片及切槽刀片  
SR/L\*\*\*\*K-A26 This series holder match A26 series insert of cut off, and grooving



>图示为右手刀杆  
>Shown in left version  
>配套刀片参考第 F02 页  
>Related inserts refer to page F02

| 刀杆型号<br>Holder model | 主要尺寸 Dimensions |      |     |             | 参考图示<br>Rated Figure | 适配刀片<br>Rated Inserts | 配件 Accessories |           |
|----------------------|-----------------|------|-----|-------------|----------------------|-----------------------|----------------|-----------|
|                      | H               | B    | L   | MAX CUT DIA |                      |                       | 螺丝 Screw       | 扳手 Wrench |
| SR/L1212K-A26-D20 ●  | 12.0            | 12.0 | 120 | 20.0        | ----                 | A26.XXXXX.XX          | M4.0*10        | T15       |
| SR/L1616K-A26-D20 ●  | 16.0            | 16.0 | 120 | 20.0        | ----                 | A26.XXXXX.XX          | M4.0*10        | T15       |
| SR/L2020K-A26-D26 ●  | 12.0            | 12.0 | 120 | 26.0        | ----                 | A26.XXXXX.XX          | M4.0*10        | T15       |
| SR/L2525K-A26-D26 ●  | 16.0            | 16.0 | 120 | 26.0        | ----                 | A26.XXXXX.XX          | M4.0*10        | T15       |
| SR/L2020K-A26-D26 ●  | 20.0            | 20.0 | 120 | 26.0        | ----                 | A26.XXXXX.XX          | M4.0*10        | T15       |
| SR/L2525K-A26-D26 ●  | 25.0            | 25.0 | 120 | 26.0        | ----                 | A26.XXXXX.XX          | M4.0*10        | T15       |

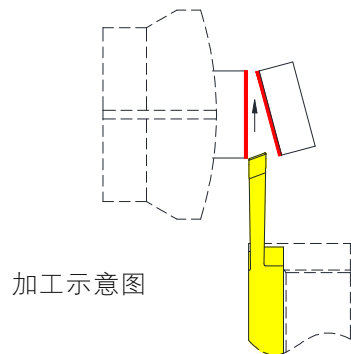
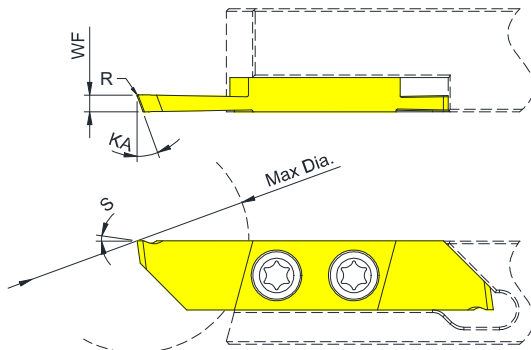
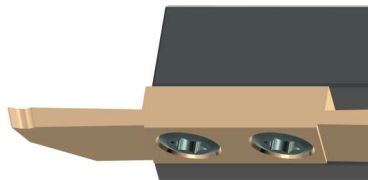
● 标准库产品/Standard in stock ○ 按订单生产产品/Make to order

# A26 | 切断

## Cut Off

本系列主要应用于走芯机床  
The series mainly used in SWISS lathe

AF-通用槽型,适合大多数工况  
AF-Chip breaker for general condition



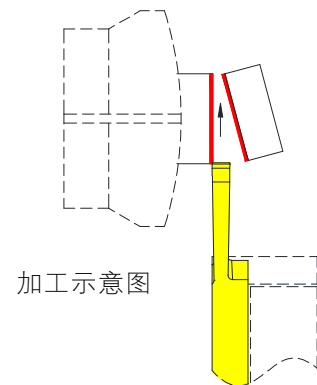
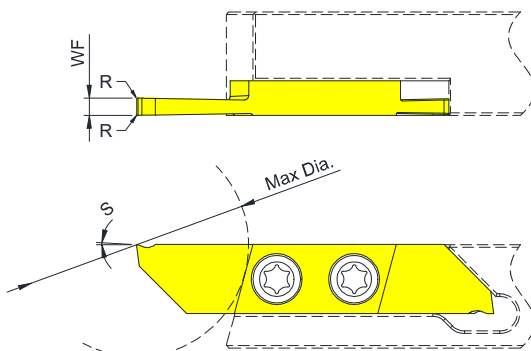
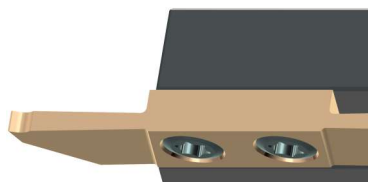
加工示意图

- > 图示为右手刀片
- > Shown in left version
- > 配套刀杆参考第 F01 页
- > Related holder refer to page E01
- > 切削参数请参考第 A04 页
- > Cutting condition refer to page A04.

| 刀片型号<br>Insert model | 主要尺寸 Dimensions |     |     |      |      |            | 材质 Grades |        |        |      |
|----------------------|-----------------|-----|-----|------|------|------------|-----------|--------|--------|------|
|                      | R               | KA  | S   | WR   | WF   | MaxCutDia. | AM3025    | AM1015 | AS1025 | AM12 |
| A26.SCR10.150.D20.AF | 0.10            | 15° | 12° | 0.10 | 1.50 | 20.0       | ●         | ●      | ○      | ○    |
| A26.SCR10.200.D20.AF | 0.10            | 15° | 12° | 0.10 | 2.00 | 20.0       | ●         | ●      | ○      | ○    |
| A26.SCR10.200.D26.AF | 0.10            | 15° | 12° | 0.10 | 2.00 | 26.0       | ●         | ●      | ○      | ○    |
| A26.SCR10.250.D26.AF | 0.10            | 15° | 12° | 0.10 | 2.50 | 26.0       | ●         | ●      | ○      | ○    |

● 标准库存产品/Standard in stock ○ 按订单生产产品/Make to order

AF-通用槽型,适合大多数工况  
AF-Chip breaker for general condition



加工示意图

- > 图示为右手刀片
- > Shown in left version
- > 配套刀杆参考第 F01 页
- > Related holder refer to page E01
- > 切削参数请参考第 A04 页
- > Cutting condition refer to page A04.

| 刀片型号<br>Insert model   | 主要尺寸 Dimensions |    |     |      |      |            | 材质 Grades |        |        |      |
|------------------------|-----------------|----|-----|------|------|------------|-----------|--------|--------|------|
|                        | R               | KA | S   | WR   | WF   | MaxCutDia. | AM3025    | AM1025 | AS1025 | AM12 |
| A26.SGR/L10.150.D20.AF | 0.05            | 0° | 20° | 0.20 | 1.50 | 20.0       | ●         | ●      | ○      | ○    |
| A26.SGR/L10.200.D20.AF | 0.05            | 0° | 20° | 0.20 | 2.00 | 20.0       | ●         | ●      | ○      | ○    |
| A26.SGR/L10.200.D26.AF | 0.10            | 0° | 20° | 0.20 | 2.00 | 26.0       | ●         | ●      | ○      | ○    |
| A26.SGR/L10.250.D26.AF | 0.10            | 0° | 20° | 0.20 | 2.50 | 26.0       | ●         | ●      | ○      | ○    |

● 标准库存产品/Standard in stock ○ 按订单生产产品/Make to order